


# STANDARD MISCELLANEOUS DETAILS

## INDEX:

- UT-1 UTILITY MARKERS
- SG-1 STREET AND REGULATORY SIGNS
- SM-1 SURVEY MONUMENT
- SM-2 SURVEY MONUMENT (TYPE I)
- LP-1 14' RESIDENTIAL STREET LIGHT
- LP-1A 14' RESIDENTIAL STREET LIGHT WITH BANNER ARM
- LP-1B CONCRETE BASE DETAIL FOR 14' RESIDENTIAL STREET LIGHT
- LP-1C RESIDENTIAL STREET LIGHT LUMINARE
- LP-2 20' STREET LIGHT COLLECTOR/COMMERCIAL
- LP-2A 20' STREET LIGHT COLLECTOR/COMMERCIAL W/ BANNER ARM
- LP-2B CONCRETE BASE DETAIL FOR COLLECTOR/COMMERCIAL STREET LIGHT
- LP-2C LUMINARE- COLLECTOR/COMMERCIAL
- LP-3 28' ARTERIAL STREET LIGHT
- LP-3A 28' ARTERIAL STREET LIGHT WITH BANNER ARM
- LP-3B CONCRETE BASE DETAIL FOR 28' ARTERIAL STREET LIGHT
- LP-3C ARTERIAL STREET LIGHT LUMINARE
- LP-4 RESIDENTIAL STREET LIGHT CONNECTION DETAIL
- LP-5 COMMERCIAL STREET LIGHT CONNECTION DETAIL
- P-1 SAMPLE PLAT

**MISCELLANEOUS  
STANDARDS**

DATE: MARCH 2004		REVISIONS	
DRAWING NAME:		REV	DATE
DRAWN BY: JMC/DKB		BY	COMMENTS
CHECKED:	APPROVED:	D	11/15/11
		AL	CHANGED PAGE NUMBER
 GILSON CONSULTING ENGINEERS AND SURVEYORS 12401 South 450 East (801) 571-9414 • Fax: (801) 571-9449			



REV. D STANDARD DETAILS
SARATOGA CITY
<b>MS-0</b>

**NOTES:**

1. MARKERS MUST BE PLACED AT ALL "OFFSITE" UTILITIES. PLACE AT MANHOLES AND EVERY 500' ON ALL UNDERGROUND UTILITIES.
2. MANHOLE MARKERS: MARKERS SHALL BE MANUFACTURED OF FIBER REINFORCED COMPOSITE MATERIAL. THAT REINFORCEMENT SHALL BE COMPRISED OF BOTH LINEAL STRANDS AND HORIZONTAL MESH MATS. MARKERS SHALL BE FLAT WITH ROUNDED RIB DOWN THE CENTER AND RAILS ON EACH SIDE; SHALL BE AT LEAST 3-3/4" WIDE AND AT LEAST 66" TALL.
3. MARKERS SHALL BE CAPABLE OF WITHSTANDING A MINIMUM OF 10 VEHICLE IMPACTS AT 55 MPH WITH A CAR BUMPER.
4. MARKERS SHALL BE COATED WITH A COLORED COATING THAT WILL TOTALLY PREVENT ULTRA-VIOLET LIGHT FROM REACHING THE RESIN PORTION OF THE MARKER. COATING SHALL NOT FADE, PEEL, OR BLISTER AFTER A MINIMUM OF 2000 HOURS IN A QUV WEATHEROMETER.
5. STANDARD SIZE, HIGH VISIBILITY DECALS SHALL BE PLACED ON EACH SIDE OF THE MARKER. THE DECALS SHALL INCLUDE: THE INTERNATIONAL "NO-DIG" SYMBOL; FEDERAL LAW WARNING TO DETER VANDALS; THE WARNING MESSAGE, TO INCLUDE "WARNING", THE TYPE OF UTILITY AND "SARATOGA SPRINGS, CALL 776-9793.
6. COLORS SHALL BE AS FOLLOWS PER APWA SPECIFICATIONS:  
 RED: ELECTRIC POWER LINES, CABLES, CONDUIT AND LIGHTING CABLES  
 YELLOW: GAS, OIL, STEAM, PETROLEUM OR GASEOUS MATERIALS  
 ORANGE: COMMUNICATIONS, ALARM, SIGNAL, CABLES OR CONDUITS  
 BLUE: POTABLE WATER  
 PURPLE: RECLAIMED WATER, IRRIGATION AND SLURRY LINES  
 GREEN: SEWER AND STORM DRAIN LINES

**UTILITY MARKERS**

<b>DATE</b> MARCH 2004		<b>REVISIONS</b>	
<b>DRAWING NAME:</b> UT-1	<b>REV</b>	<b>DATE</b>	<b>BY</b>
<b>DRAWN BY:</b> JMC/DKB			
<b>CHECKED:</b>	<b>APPROVED:</b>	 <b>CONSULTING ENGINEERS AND SURVEYORS</b> 12401 South 45th East (801) 571-9414 • Fax: (801) 571-9449	

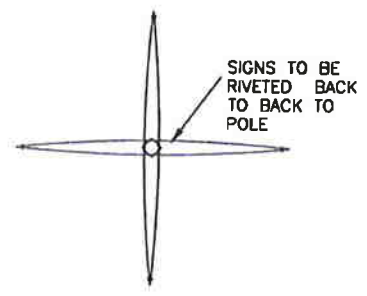
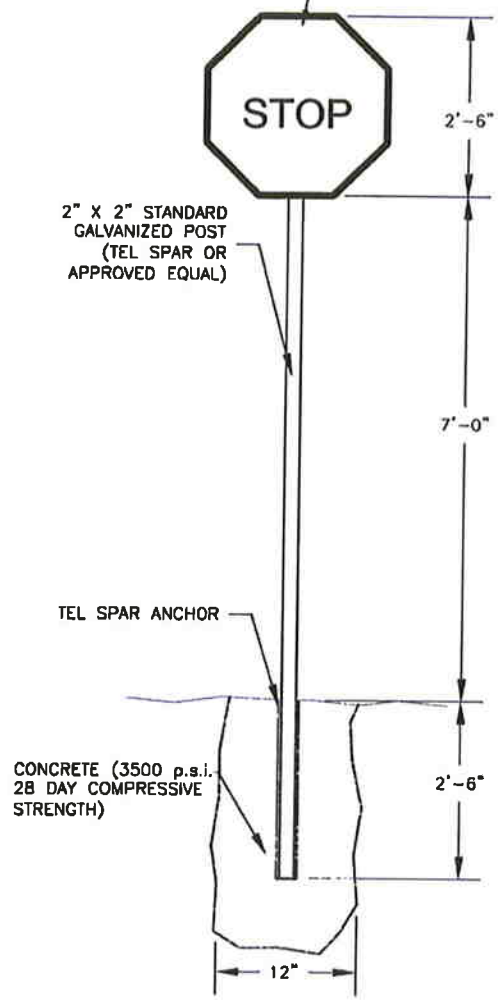


**REV.**  
STANDARD DETAILS

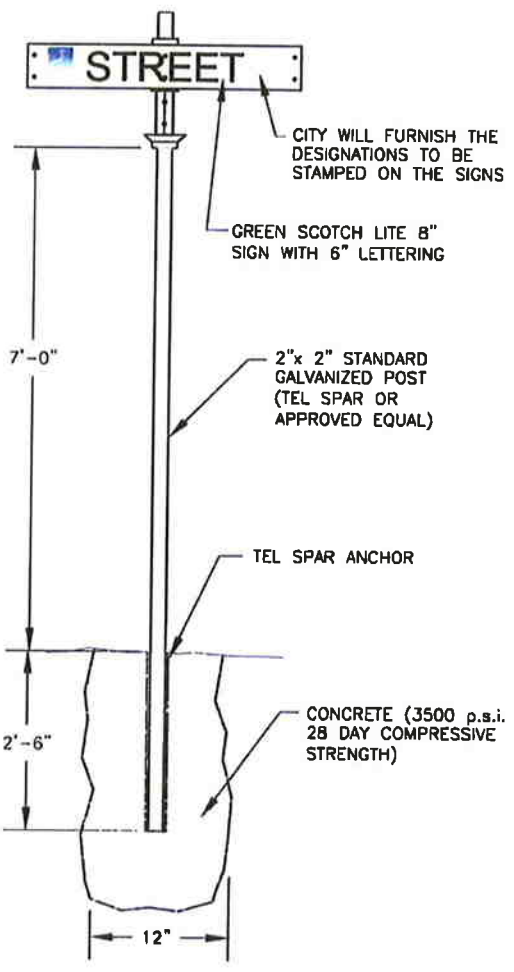
**SARATOGA CITY**

**UT-1**

SIGNS SHALL CONFORM TO THE REQUIREMENTS OF THE "MANUAL ON UNIFORM TRAFFIC CONTROL DEVICES"



**PLAN VIEW**



**NOTES:**

1. SECURE CITY'S APPROVAL OF SIGN FORMAT AND INSTALLATION.
2. INSTALL THE EDGE OF THE SIGN TWO FEET FROM THE VERTICAL EXTENSION OF THE BACK OF CURB AS NEAR AS POSSIBLE TO THE APPROACH CURB POINT OF CURVATURE. SIGNS SHOULD NOT OVERHANG SIDEWALK OR CURB & GUTTER.
3. ALL STREET SIGNS (STOP, SPEED, ETC.) SHALL BE 7' MINIMUM FROM GROUND TO BOTTOM OF SIGN.
4. ALL STREET SIGNS TO BE COATED WITH 3M-HIGH INTENSITY SHEETING, OR ACCEPTABLE EQUAL.

**STREET AND REGULATORY SIGNS**

DATE: MARCH 2004		REVISIONS	
DRAWING NAME: SG-1		REV	DATE BY COMMENTS
DRAWN BY: JMC/DKB			
CHECKED: APPROVED:		GILSON CONSULTING ENGINEERS AND SURVEYORS 12401 South 45th East (801) 571-9414 • Fax: (801) 571-9449	



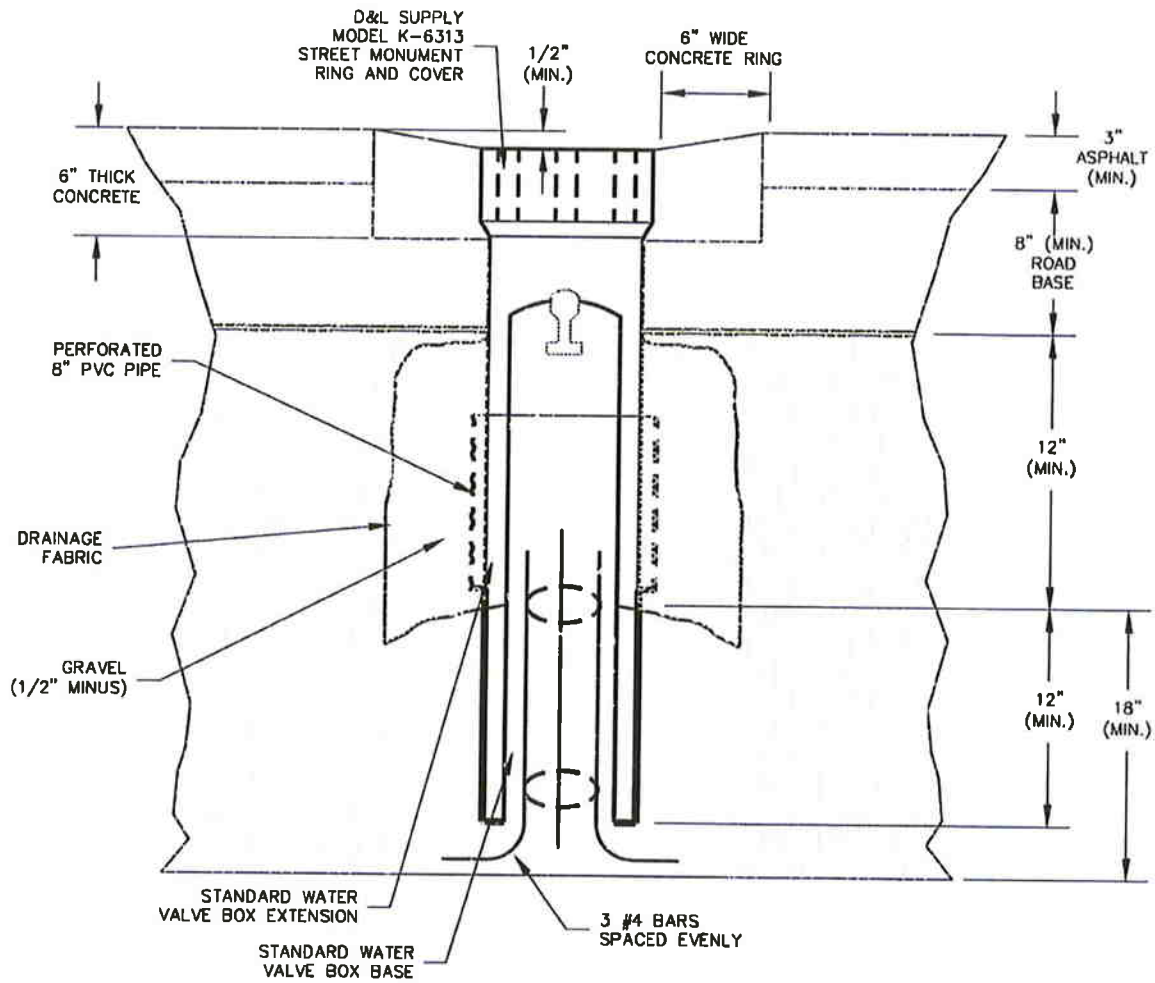
REV. A  
STANDARD DETAILS

SARATOGA CITY

**SG-1**



**LID DETAIL**



**SURVEY MONUMENT**

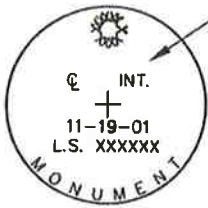
DATE: MARCH 2004		REVISIONS	
DRAWING NAME: SM-1	CHECKED:	REV	COMMENTS
DRAWN BY: JMC/DKB	APPROVED:	DATE	BY
CONSULTING ENGINEERS AND SURVEYORS		12461 South 459 East	
12461 South 459 East		(801) 571-9414 • Fax: (801) 571-9449	



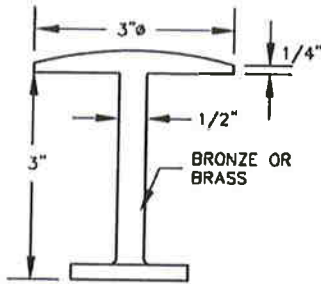
REV. A  
STANDARD DETAILS

SARATOGA CITY

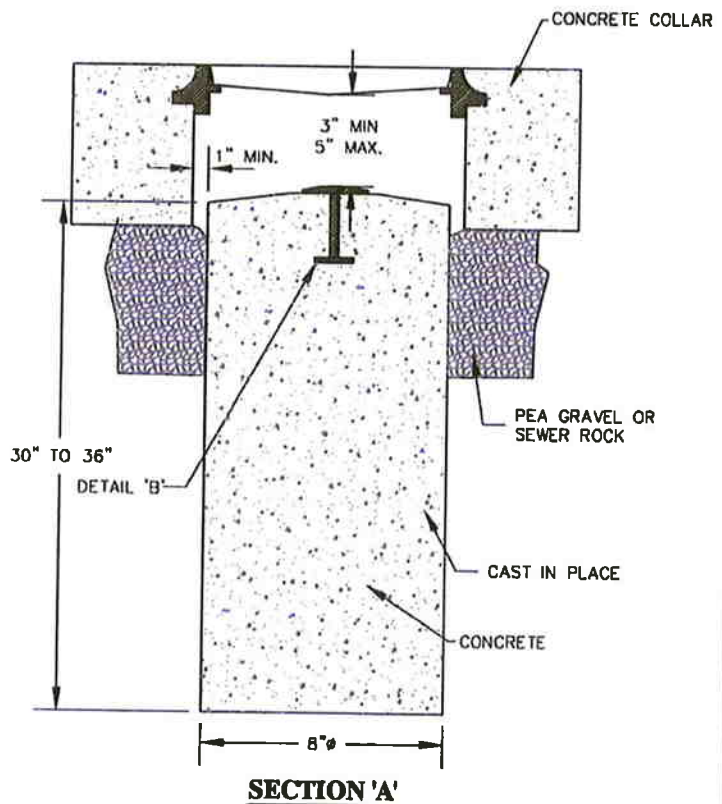
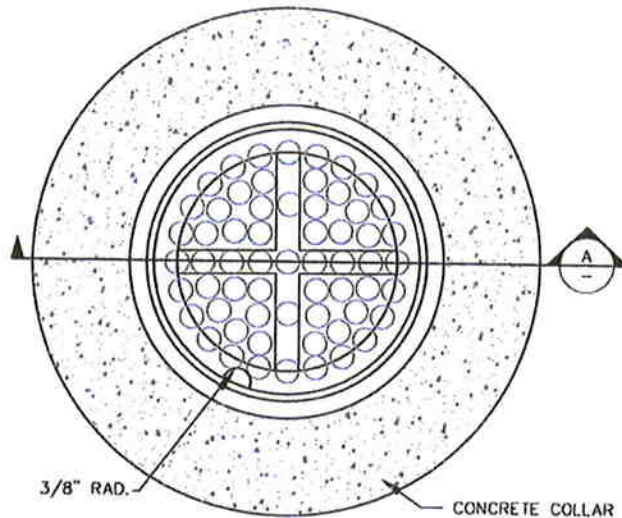
**SM-1**



SEE APWA DWG. #272 FOR DETAILS REGARDING INFORMATION TO BE STAMPED ON MONUMENT CAP



**DETAIL 'B'**



**SECTION 'A'**

**NOTES:**

ALL WORK SHALL CONFORM TO APWA STANDARDS UNLESS OTHERWISE APPROVED BY CITY ENGINEER

**SURVEY MONUMENT  
TYPE 1**

DATE: MARCH 2004		REVISIONS	
DRAWING NAME: SM-2		REV	DATE BY COMMENTS
DRAWN BY: JMC/DKB			
CHECKED:	APPROVED:	GILSON CONSULTING ENGINEERS AND SURVEYORS 12401 South 45th East (801) 571-9414 • Fax: (801) 571-9449	



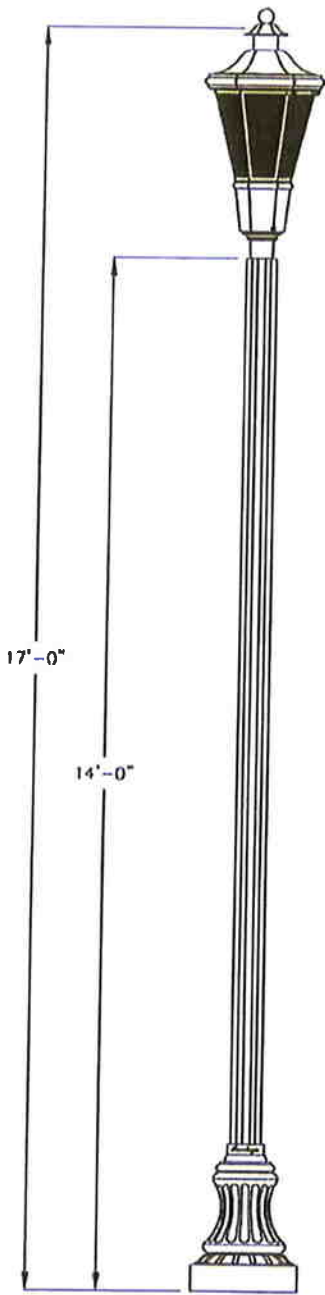
REV. A  
STANDARD DETAILS

SARATOGA CITY

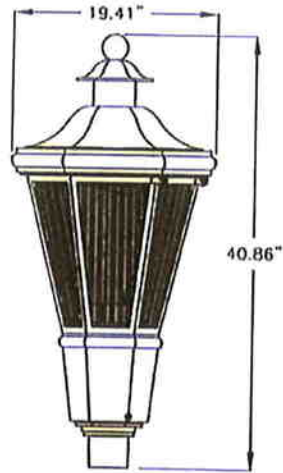
**SM-2**

**S8327E UTILITY POD  
(UTILITY PHOTOCELL RECEPTACLE,  
TWIST-OFF BALLAST ASSEMBLY)**

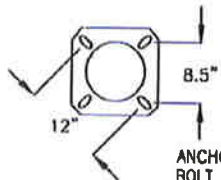
Ordering Guide  
S8327E: LUMINAIRE  
14EFA-5.0-TT/3x3-16"VRG-BK



**POLE SPECIFICATIONS:**  
POLE HEIGHT: 14' EXTRUDED ALUMINUM  
TOTAL POLE: 5" O.D. THICKNESS: .250"  
EPA: MIN 20 IN 80 MPH ZONE (1.3 GUST FACTOR)  
BASE = 16" DECORATIVE ELASTOMER  
TWO-PIECE - AVERAGE 3/4" THICK (50 LBS)  
ANCHOR PLATE: 12" BOLT CIRCLE WITH 3/4" X 18" BOLTS



<b>Matrix</b>	FASTENERS: (SPECIFY) (1) HEX <input type="checkbox"/> (2) ALLEN <input checked="" type="checkbox"/>
SOCKET: (SPECIFY)	(D) MEDIUM <input checked="" type="checkbox"/> (R) INDUCTIVE <input type="checkbox"/> (G) MOGUL <input type="checkbox"/>
PHOTO CONTROL: (SPECIFY)	GLOBE: (SPECIFY)
(B) BUTTON EYE <input type="checkbox"/> (R) TWIST-LOCK RECEPTACLE <input checked="" type="checkbox"/>	(R53) POLYACRYL TYPE V <input type="checkbox"/> (R54) ACRYLIC TYPE V <input type="checkbox"/> (R33) POLYACRYL TYPE III <input type="checkbox"/> (R34) ACRYLIC TYPE III <input checked="" type="checkbox"/>
FINISH: (SPECIFY)	REFLECTOR: (SPECIFY)
(A) BLACK <input checked="" type="checkbox"/> (B) WHITE <input type="checkbox"/> (H) BRONZE <input type="checkbox"/> (J) GREEN <input type="checkbox"/>	(D) SM REFLECTOR <input type="checkbox"/> (F) SM REFLECTOR W/H.S.S. <input type="checkbox"/> (G) FULL TOP W/H.S.S. <input type="checkbox"/> (H) H.S.S. <input type="checkbox"/> (I) FULL TOP <input type="checkbox"/>
	WATTAGE OPTIONS: (SPECIFY)
	70W MH <input type="checkbox"/> 100W HPS <input checked="" type="checkbox"/> 100W MH <input type="checkbox"/> 150W HPS <input type="checkbox"/> 150W MH <input type="checkbox"/> 200W HPS <input type="checkbox"/> 175W MH <input type="checkbox"/> 250W HPS <input type="checkbox"/> 200W MH <input type="checkbox"/> 185W R <input type="checkbox"/> 250W MH <input type="checkbox"/> 150W R <input type="checkbox"/> 70W HPS <input type="checkbox"/> 100W R <input type="checkbox"/> 85W R <input type="checkbox"/> 95W R <input type="checkbox"/>
	VOLTAGE OPTIONS: (SPECIFY)
	(E) 120V <input checked="" type="checkbox"/> (M) 277V <input type="checkbox"/> (F) 208V <input type="checkbox"/> (K) 347V <input type="checkbox"/> (G) 240V <input type="checkbox"/>



ANCHOR BASE DETAIL 12"  
BOLT CIRCLE ANCHOR  
BOLTS: 3/4" x 18"

FINISH: BLACK

ANCHOR BASE

**14' RESIDENTIAL  
STREET LIGHT**

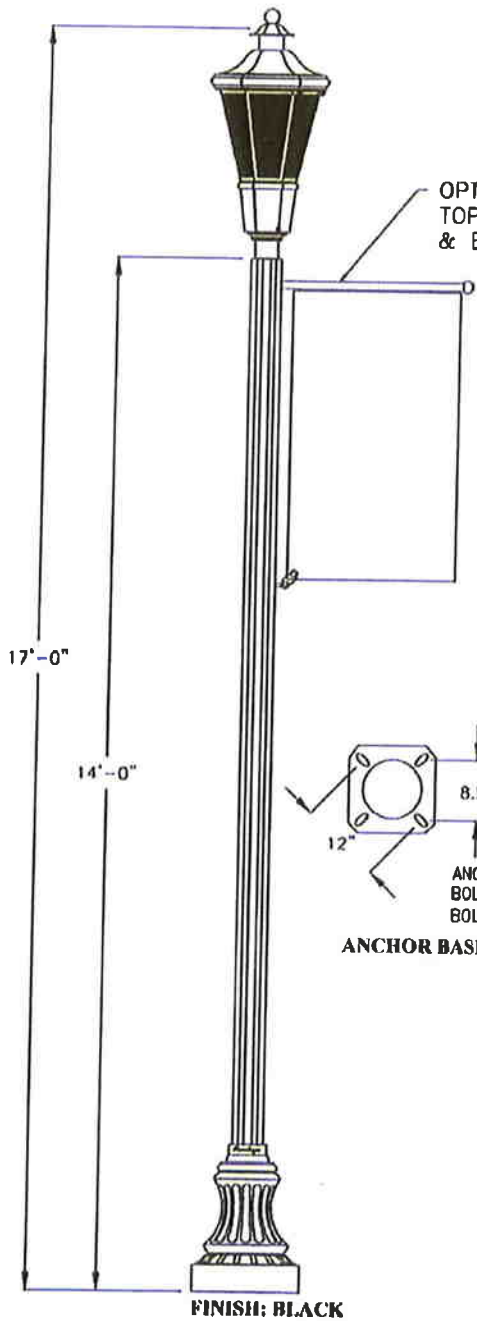
DATE: NOVEMBER 2007	REVISIONS	
DRAWING NAME: 14' RESIDENTIAL	REV	DATE BY COMMENTS
DRAWN BY: JMC/ABG		
CHECKED: APPROVED:	GILSON CONSULTING ENGINEERS AND SURVEYORS 12401 South 45th East (801) 371-9414 • Fax (801) 371-9449	



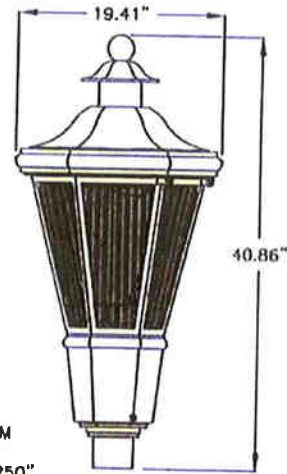
REV. D  
STANDARD  
LIGHT POLE  
LP.1

**S8327E UTILITY POD  
(UTILITY PHOTOCELL RECEPTACLE,  
TWIST-OFF BALLAST ASSEMBLY)**

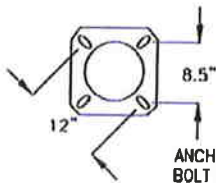
Ordering Guide  
S8327E: LUMINAIRE  
14EFA-5.0-TT/3x3-16VIRG-BK



OPTIONAL:  
TOP BANNER ARM  
& BOTTOM CLIP



**POLE SPECIFICATIONS:**  
POLE HEIGHT: 14' EXTRUDED ALUMINUM  
TOTAL POLE: 5" O.D. THICKNESS: .250"  
EPA: MIN 20 IN 80 MPH ZONE (1.3 GUST FACTOR)  
BASE = 16" DECORATIVE ELASTOMER  
TWO-PIECE - AVERAGE 3/4" THICK (50 LBS)  
ANCHOR PLATE: 12" BOLT CIRCLE WITH 3/4" X 18" BOLTS



ANCHOR BASE DETAIL 12"  
BOLT CIRCLE ANCHOR  
BOLTS: 3/4" x 18"

ANCHOR BASE

**NOTE:**  
BANNER ARMS WILL BE REQUIRED FOR PROJECTS LOCATED WITHIN A REGIONAL COMMERCIAL (RC) OR MIXED USE (MU) ZONE, AS WELL AS THE COMMERCE DRIVE LOOP AND ADJACENT TO THE HIGH SCHOOL AND JUNIOR HIGH FACILITIES WITHIN THE CITY. ADDITIONAL LOCATIONS THAT MAY MERIT THE USE OF BANNER ARMS WILL BE DETERMINED ON A CASE BY CASE BASIS.

Matrix	FASTENERS: (SPECIFY) (1) HEX — (2) ALLEN <input checked="" type="checkbox"/>	
SOCKET: (SPECIFY)	(D) MEDIUM <input checked="" type="checkbox"/> (R) INDUCTIVE — (G) MOGUL —	WATTAGE OPTIONS: (SPECIFY)
PHOTO CONTROL: (SPECIFY)	GLOBE: (SPECIFY)	70W MH — 100W HPS <input checked="" type="checkbox"/> 100W MH — 150W HPS — 150W MH — 200W HPS — 175W MH — 250W HPS — 200W MH — 185W R — 250W MH — 150W R — 70W HPS — 100W R — • 85W R — • 55W R —
(B) BUTTON EYE — (A) TWIST-LOCK RECEPTACLE <input checked="" type="checkbox"/>	(R33) POLYACRYL TYPE V — (R54) ACRYLIC TYPE V — (R33) POLYACRYL TYPE III — (R34) ACRYLIC TYPE III <input checked="" type="checkbox"/>	VOLTAGE OPTIONS: (SPECIFY)
FINISH: (SPECIFY)	REFLECTOR: (SPECIFY)	(E) 120V <input checked="" type="checkbox"/> (H) 277V — (F) 208V — (N) 347V — (G) 240V —
(A) BLACK <input checked="" type="checkbox"/> (B) WHITE — (H) BRONZE — (J) GREEN —	(D) SM REFLECTOR — (F) SM REFLECTOR W/H.S.S. — (G) FULL TOP W/H.S.S. — (H) H.S.S. — (I) FULL TOP —	

**14' RESIDENTIAL  
STREET LIGHT  
WITH BANNER ARM**

DATE: NOVEMBER 2007
DRAWING NAME: 14' RES. W/BANNER
DRAWN BY: JMC/ABG
CHECKED: _____ APPROVED: _____

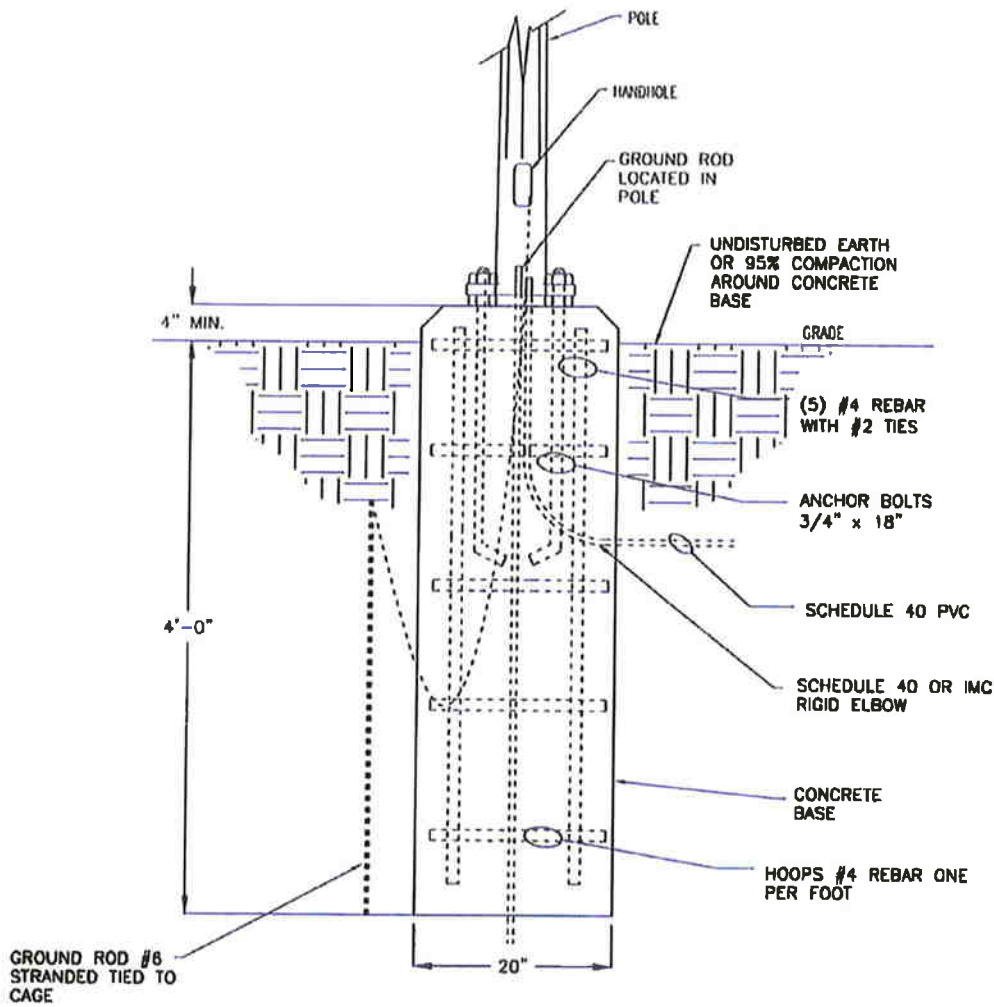
REVISIONS		
REV	DATE	BY

**CONSULTING ENGINEERS AND SURVEYORS**  
13401 South 49th East  
(801) 571-9414 • Fax: (801) 571-9449



REV. D  
STANDARD  
**LIGHT POLE**  
**LP.1a**

**NOTE:**  
IF DEPTH CANNOT BE MET  
MASS MUST BE EQUIVALENT  
TO MASS SHOWN



**CONCRETE BASE DETAIL  
FOR 14' RESIDENTIAL  
STREET LIGHT**

DATE  
NOVEMBER 2007

DRAWING NAME  
14' BASE DETAIL

DRAWN BY:  
JMC/ABG

CHECKED: APPROVED:

REVISIONS		
REV	DATE	BY

COMMENTS

CONSULTING ENGINEERS AND SURVEYORS

12000 South 45th East  
(801) 571-9414 • Fax (801) 571-9449



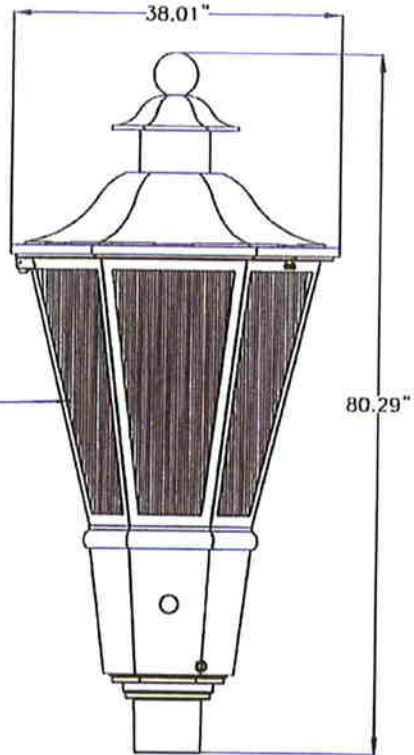
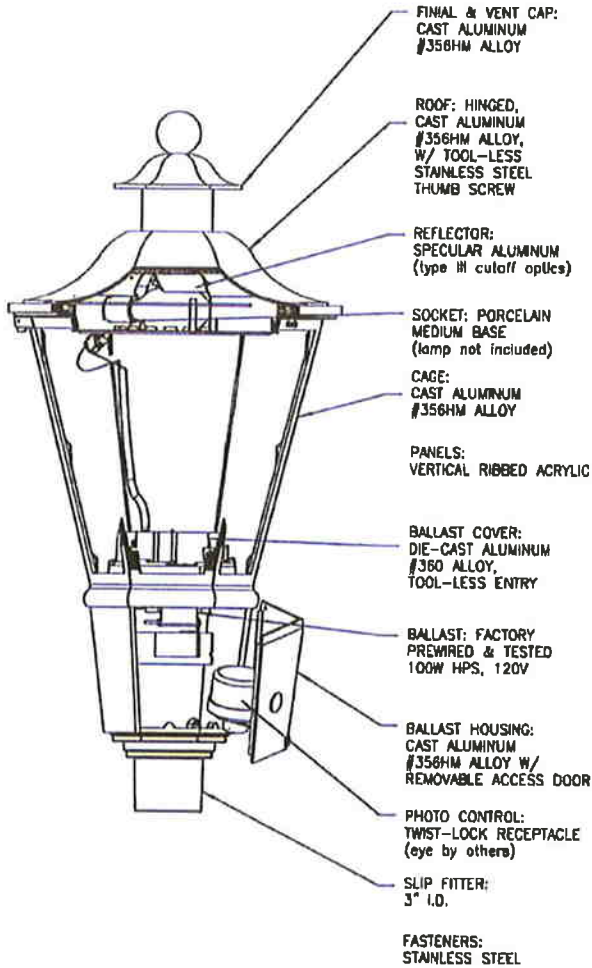
REV. D  
STANDARD

LIGHT POLE

LP.1b

Ordering Guide:  
S8327E: LUMINAIRE

COLOR: BLACK



**RESIDENTIAL  
STREET LIGHT LUMINAIRE**

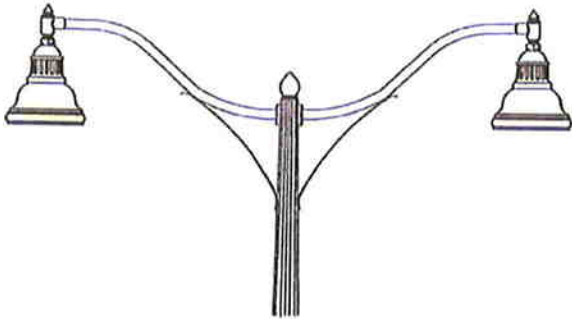
DATE NOVEMBER 2007		REVISIONS	
DRAWING NAME RES. LUMINAIRE		REV	COMMENTS
DRAWN BY JMC/ABG		DATE	BY
CHECKED:	APPROVED:		
 CONSULTING ENGINEERS AND SURVEYORS 12401 South 458 East (801) 571-9414 • Fax: (801) 571-0449			



REV. D  
STANDARD


LIGHT POLE

LP.1c



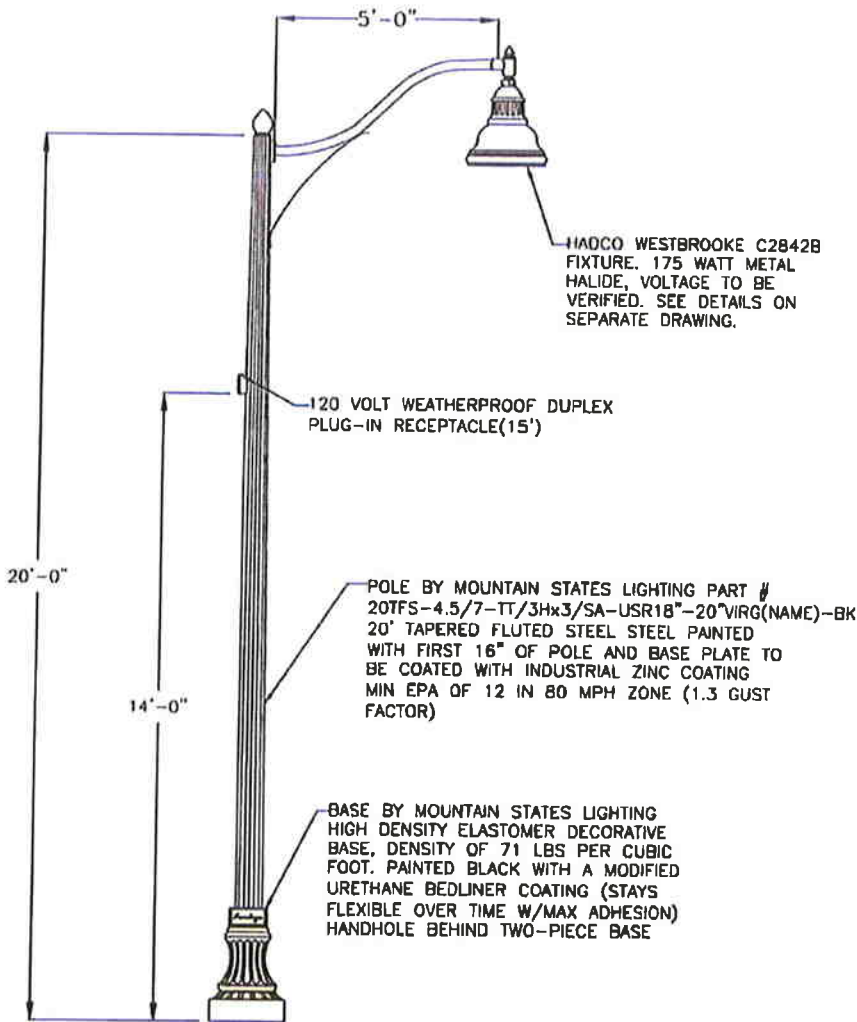
SHOWN WITH  
DOUBLE FIXTURE

4 BOLTS AT 90 DEGREES 3/4" Ø X 18" LONG X 3" HOOK BOLTS TO HAVE A 3.5" PROJECTION OUT OF THE CONCRETE. BOLTS TO BE GALVANIZED



ANCHOR BASE DETAIL 12" BOLT CIRCLE 7/8" x 1" HOLES TO ACCOMMODATE UP TO 3/4" DIA BOLT

ANCHOR BASE



FINISH: BLACK

**20' STREET LIGHT  
COLLECTOR/COMMERCIAL  
STREET LIGHT**

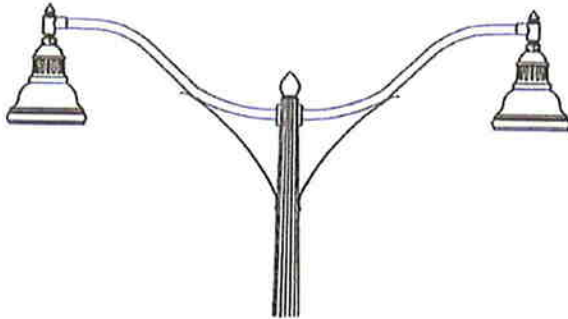
DATE MAR 2009		REVISIONS	
DRAWING NAME 20' COLLECTOR		REV	DATE
DRAWN BY JMC/ABG		BY	COMMENTS
CHECKED	APPROVED	 <b>GILSON</b> CONSULTING ENGINEERS AND SURVEYORS 12401 South 45th East (801) 571-9414 • Fax: (801) 571-9449	



REV. D  
STANDARD

**LIGHT POLE**

**LP.2**



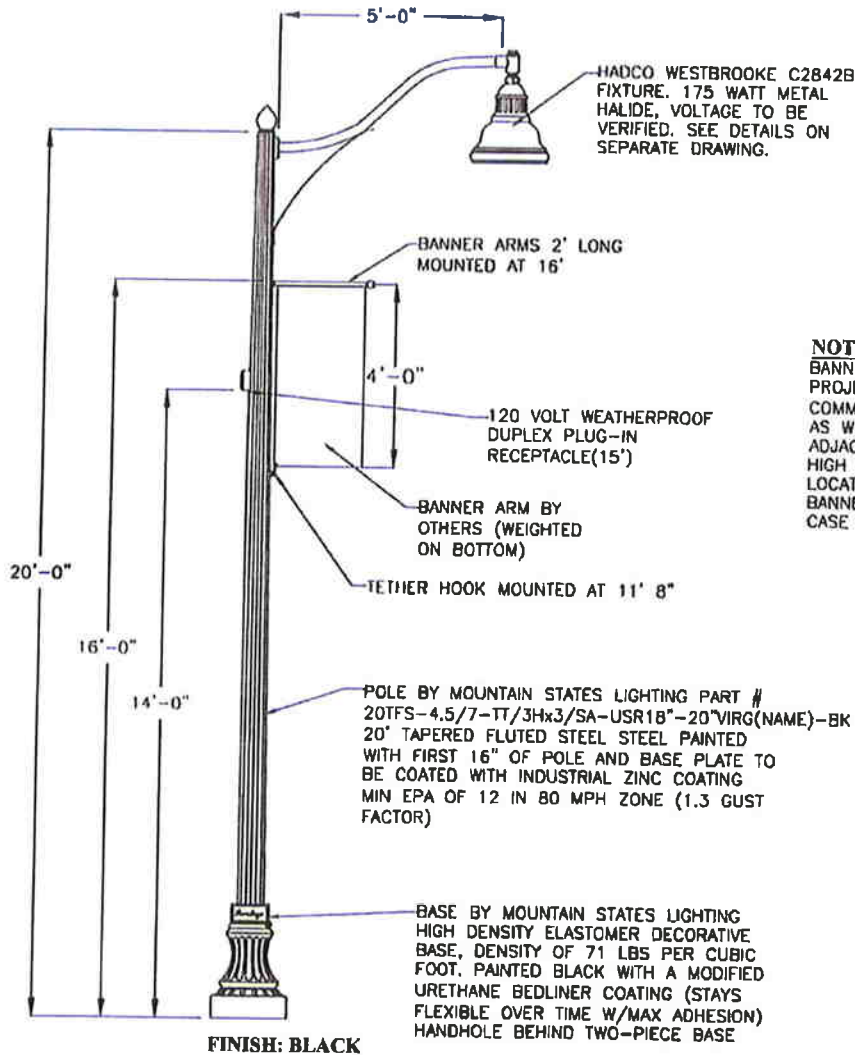
SHOWN WITH  
DOUBLE FIXTURE

4 BOLTS AT 90 DEGREES 3/4"  $\phi$  X 18" LONG X 3" HOOK  
BOLTS TO HAVE A 3.5" PROJECTION OUT OF THE CONCRETE. BOLTS TO BE GALVANIZED



ANCHOR BASE DETAIL 12" BOLT  
CIRCLE 7/8" x 1" HOLES TO  
ACCOMMODATE UP TO 3/4" DIA  
BOLT

ANCHOR BASE



**NOTE:**  
BANNER ARMS WILL BE REQUIRED FOR  
PROJECTS LOCATED WITHIN A REGIONAL  
COMMERCIAL (RC) OR MIXED USE (MU) ZONE,  
AS WELL AS THE COMMERCE DRIVE LOOP AND  
ADJACENT TO THE HIGH SCHOOL AND JUNIOR  
HIGH FACILITIES WITHIN THE CITY. ADDITIONAL  
LOCATIONS THAT MAY MERIT THE USE OF  
BANNER ARMS WILL BE DETERMINED ON A  
CASE BY CASE BASIS.

**20' STREET LIGHT  
COLLECTOR/COMMERCIAL  
WITH BANNER ARM**

DATE NOVEMBER 2007		REVISIONS	
DRAWING NAME COLLECTOR W/BANNER		REV	DATE
DRAWN BY JMC/ABG		BY	COMMENTS
CHECKED: APPROVED:			
CONSULTING ENGINEERS AND SURVEYORS 12401 South 450 East (801) 971-9414 • Fax (801) 971-9449			

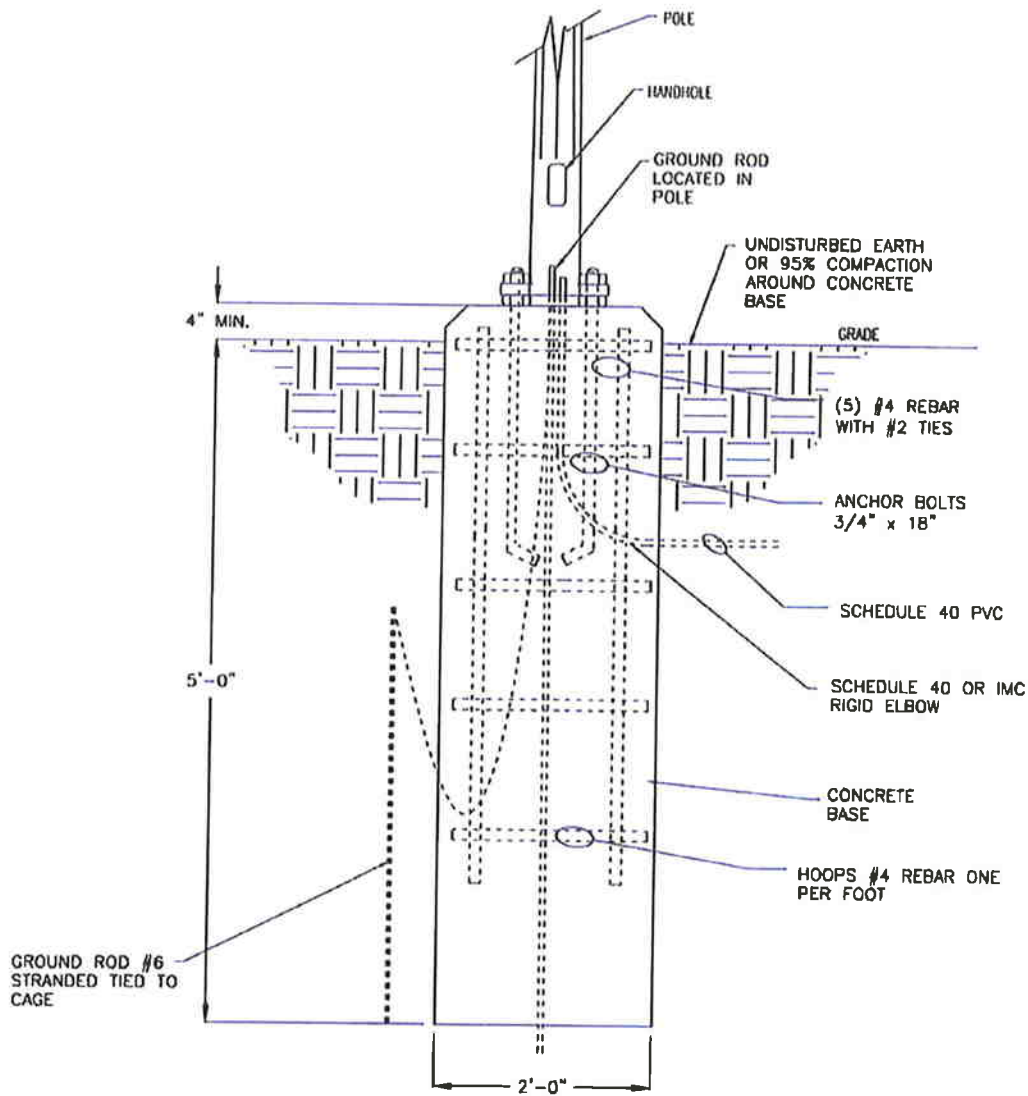


REV. D  
STANDARD

LIGHT POLE

**LP.2a**

**NOTE!**  
 IF DEPTH CANNOT BE MET  
 MASS MUST BE EQUIVALENT  
 TO MASS SHOWN



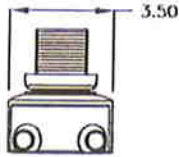
**CONCRETE BASE DETAIL**  
**20' STREET LIGHT**  
**COLLECTOR/COMMERCIAL**

DATE: NOVEMBER 2007		REVISIONS	
DRAWING NAME: 20' BASE DETAIL		REV	DATE
DRAWN BY: JMC/ABG		BY	COMMENTS
CHECKED:	APPROVED:		
		CONSULTING ENGINEERS AND SURVEYORS	
		12401 South 430 East (801) 571-9414 • FAX: (801) 571-9449	

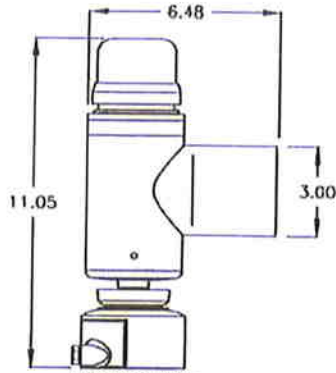


REV. D  
 STANDARD  
 LIGHT POLE  
**LP.2b**

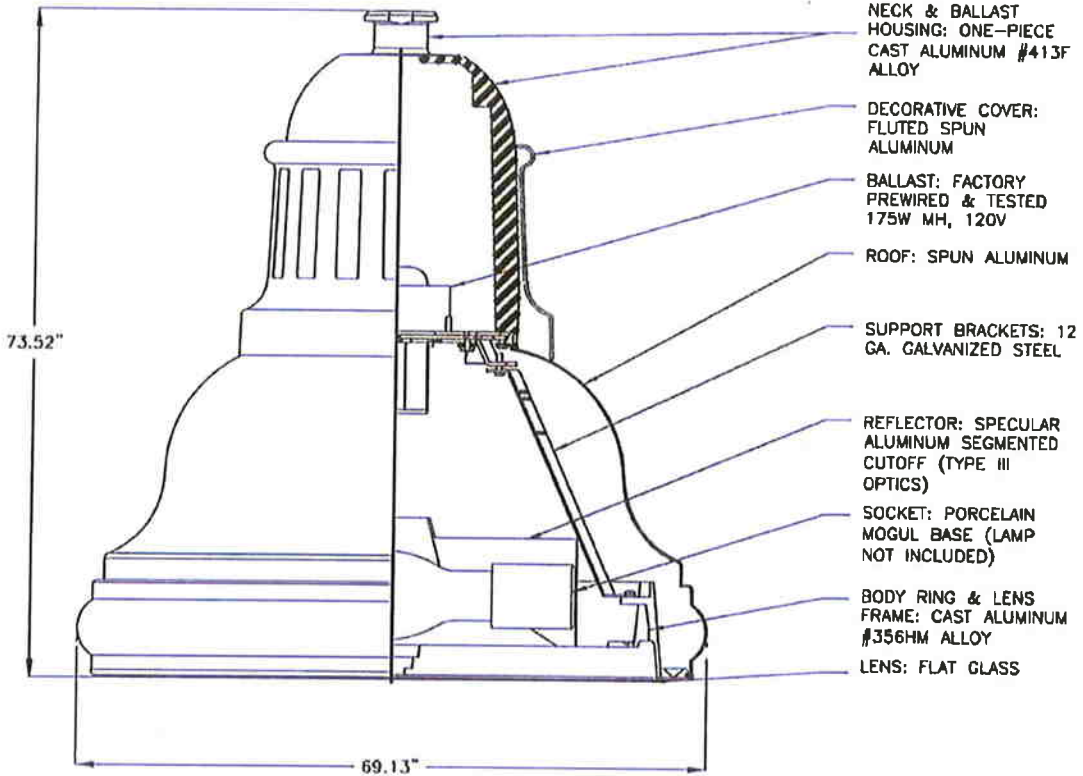
Ordering Guide:  
 C2842C: LUMINAIRE  
 CA2842: THREADED CLAMP COLLAR  
 CA2842A: ARM ADAPTOR



THREADED CLAMP COLLAR



HORIZONTAL ARM MOUNTING ADAPTOR



- NECK & BALLAST HOUSING: ONE-PIECE CAST ALUMINUM #413F ALLOY
- DECORATIVE COVER: FLUTED SPUN ALUMINUM
- BALLAST: FACTORY PREWIRED & TESTED 175W MH, 120V
- ROOF: SPUN ALUMINUM
- SUPPORT BRACKETS: 12 GA. GALVANIZED STEEL
- REFLECTOR: SPECULAR ALUMINUM SEGMENTED CUTOFF (TYPE III OPTICS)
- SOCKET: PORCELAIN MOGUL BASE (LAMP NOT INCLUDED)
- BODY RING & LENS FRAME: CAST ALUMINUM #356HM ALLOY
- LENS: FLAT GLASS

FINISH: BLACK

**LUMINAIRE  
 COLLECTOR/COMMERCIAL  
 STREET LIGHT**

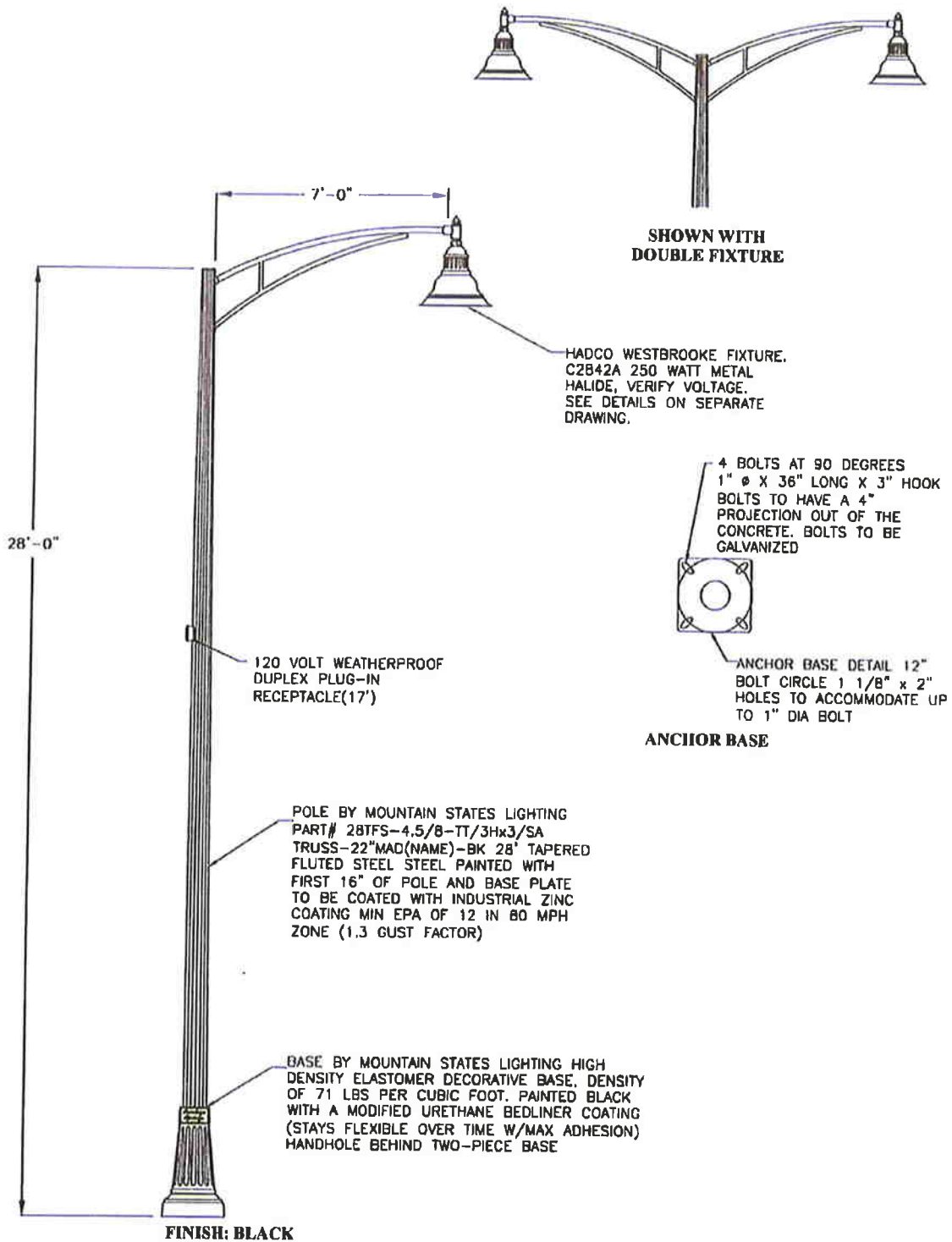
DATE: NOVEMBER 2007	
DRAWING NAME: COLLECTOR LUMINAIRE	
DRAWN BY: JMC/ABG	
CHECKED:	APPROVED:

REVISIONS		
REV	DATE	BY

CONSULTING ENGINEERS AND SURVEYORS  
 13401 South 45th East  
 (801) 571-9414 • Fax (801) 571-9449



REV. D  
 STANDARD  
 LIGHT POLE  
 LP.2c



**28' ARTERIAL STREET LIGHT**

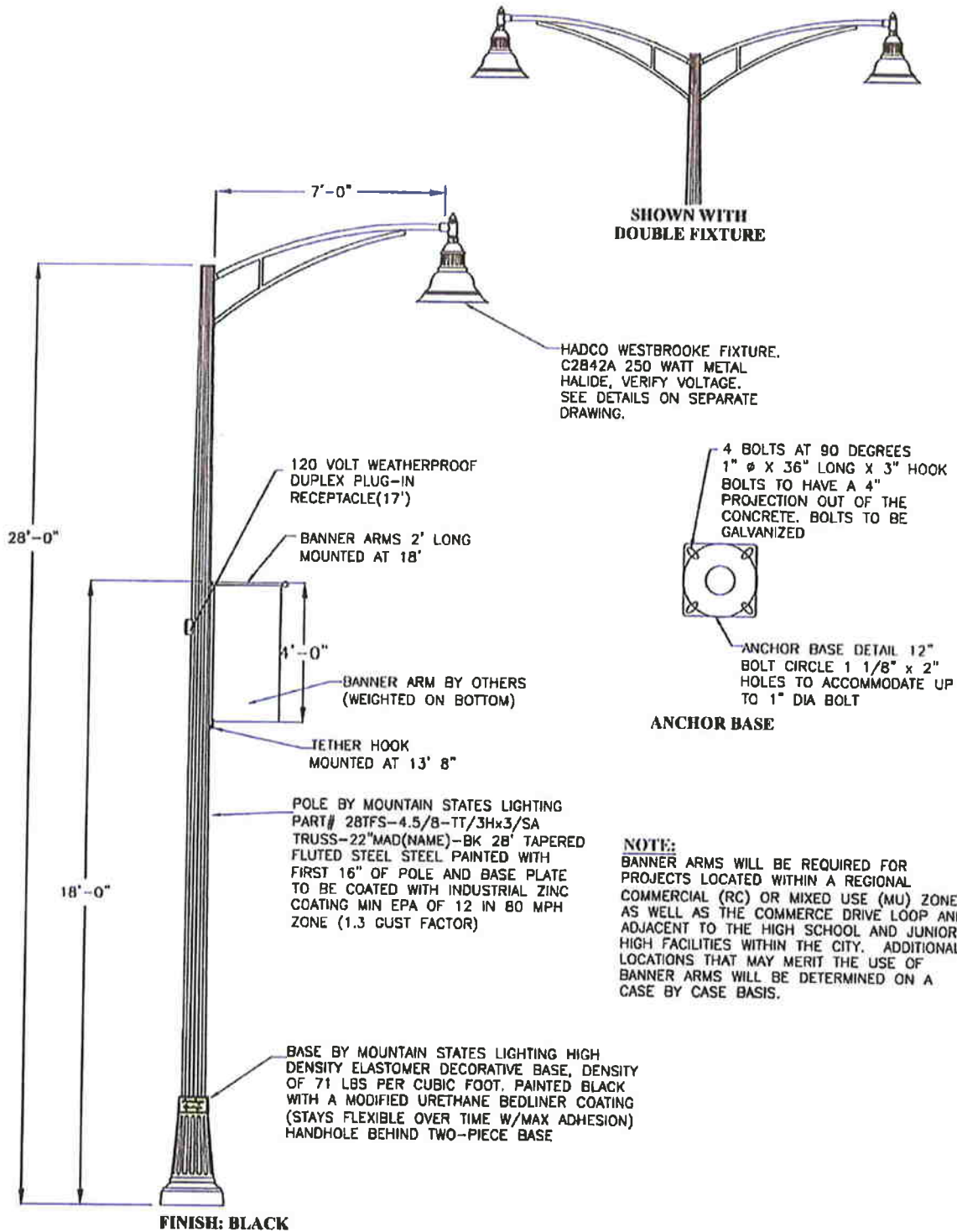
DATE: NOVEMBER 2007		REVISIONS	
DRAWING NAME: 28' ARTERIAL		REV	DATE
DRAWN BY: JMC/ARG		BY	COMMENTS
CHECKED:	APPROVED:	GIBSON CONSULTING ENGINEERS AND SURVEYORS 12401 South 430 East (801) 571-9414 • Fax: (801) 571-9449	



REV. D  
STANDARD

LIGHT POLE

**LP.3**



**28' ARTERIAL STREET LIGHT WITH BANNER ARM**

DATE NOVEMBER 2007		REVISIONS	
DRAWING NAME ARTERIAL W/BANNER		REV	DATE
DRAWN BY JMC/ABG		BY	COMMENTS
CHECKED	APPROVED:	CONSULTING ENGINEERS AND SURVEYORS	
GUSDI		12401 South 450 East	
		(801) 571-9414 • Fax (801) 571-9449	

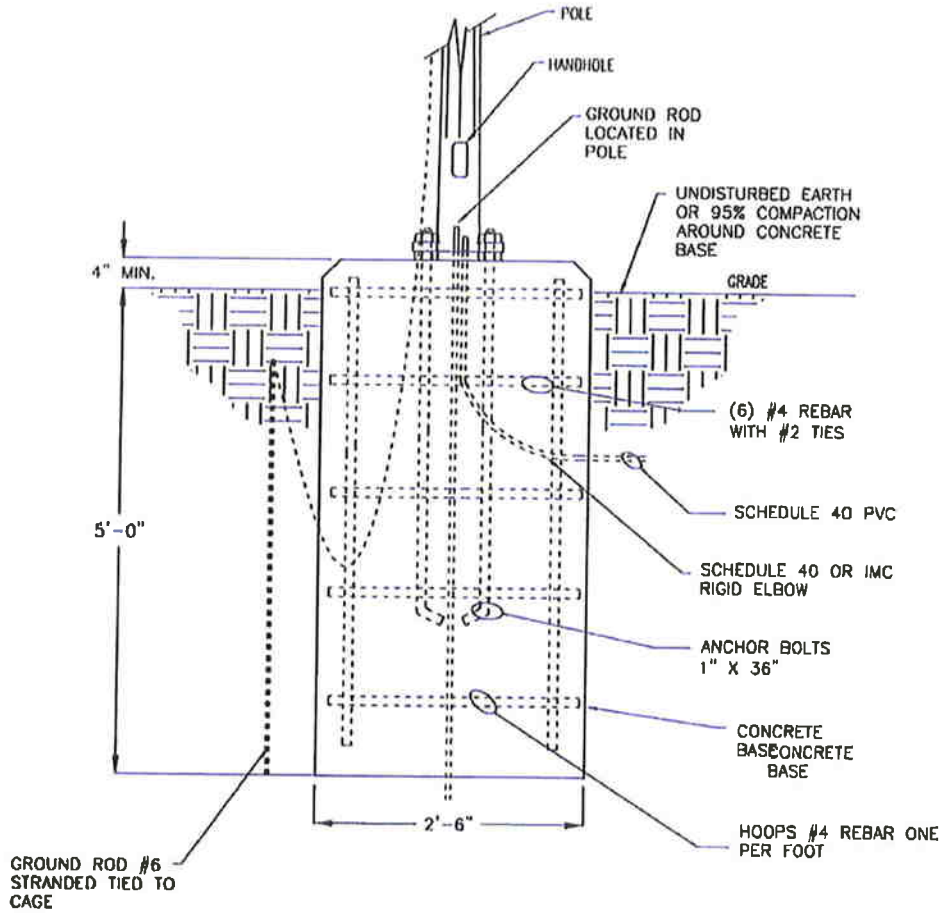


REV. D  
STANDARD

**LIGHT POLE**

**LP.3a**

**NOTE!**  
 IF DEPTH CANNOT BE MET  
 MASS MUST BE EQUIVALENT  
 TO MASS SHOWN



**CONCRETE BASE DETAIL  
 FOR 28' ARTERIAL  
 STREET LIGHT**

DATE: NOVEMBER 2007		REVISIONS	
DRAWING NAME: 28' BASE DETAIL		REV	DATE
DRAWN BY: JMC/ABG		BY	COMMENTS
CHECKER:	APPROVED:		
 <b>CONSULTING ENGINEERS AND SURVEYORS</b> 12401 South 45th East (801) 571-9414 • Fax (801) 571-9449			



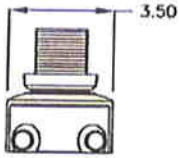
**REV. D  
 STANDARD**

**LIGHT POLE**

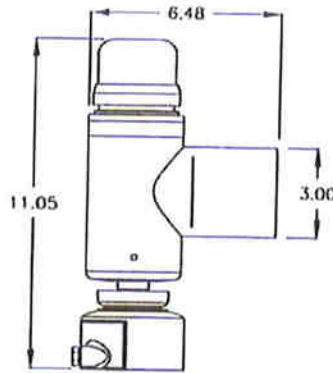
**LP.3b**

**Ordering Guide:**

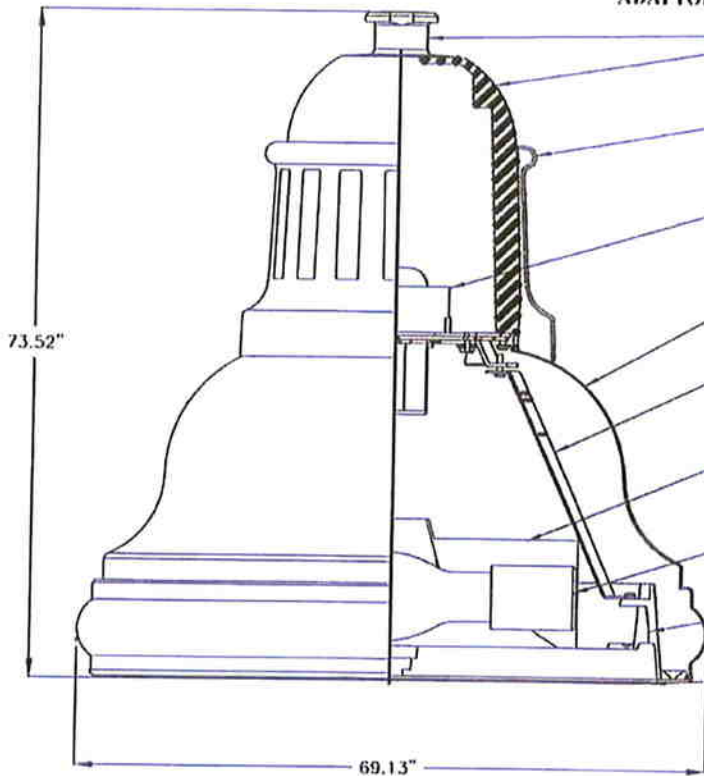
C2842B: LUMINAIRE  
 CA2842: THREADED  
 CLAMP COLLAR  
 CA2842A: ARM ADAPTOR



**THREADED  
 CLAMP COLLAR**



**HORIZONTAL  
 ARM MOUNTING  
 ADAPTOR**



NECK & BALLAST  
 HOUSING: ONE-PIECE  
 CAST ALUMINUM #413F  
 ALLOY

DECORATIVE COVER:  
 FLUTED SPUN  
 ALUMINUM

BALLAST: FACTORY  
 PREWIRED & TESTED  
 175W MH, 120V

ROOF: SPUN ALUMINUM

SUPPORT BRACKETS: 12  
 GA. GALVANIZED STEEL

REFLECTOR: SPECULAR  
 ALUMINUM SEGMENTED  
 CUTOFF (TYPE III  
 OPTICS)

SOCKET: PORCELAIN  
 MOGUL BASE (LAMP  
 NOT INCLUDED)

BODY RING & LENS  
 FRAME: CAST ALUMINUM  
 #356HM ALLOY

LENS: FLAT GLASS

**FINISH: BLACK**

**ARTERIAL  
 STREET LIGHT LUMINAIRE**

DATE:  
 NOVEMBER 2007

DRAWING NAME:  
 ARTERIAL LUMINAIRE

DRAWN BY:  
 JMC/ARG

CHECKED: APPROVED:

REVISIONS		
REV	DATE	BY

CONSULTING ENGINEERS AND SURVEYORS  
 12401 South 450 East  
 (901) 571-9414 • Fax: (801) 571-9449



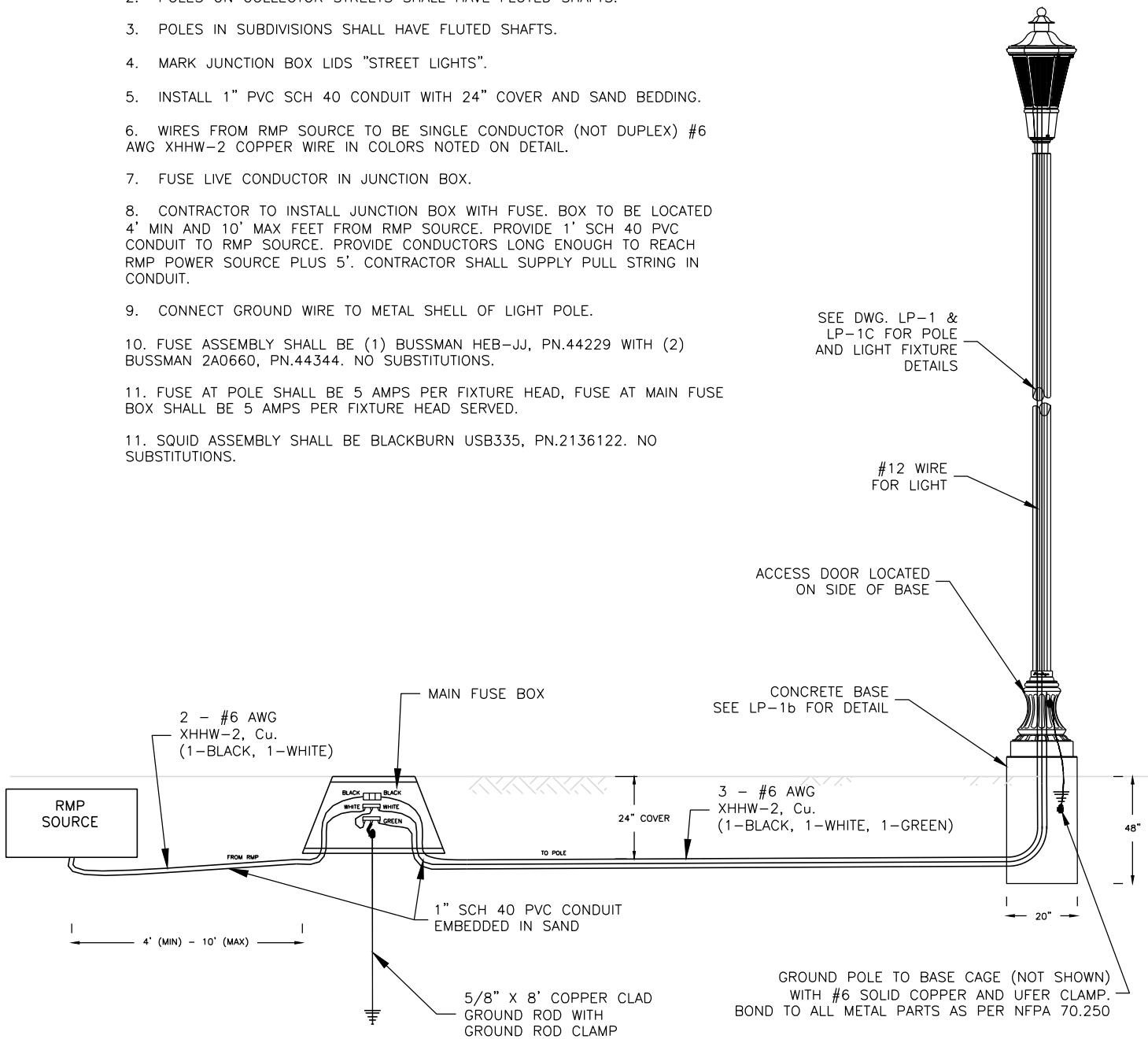
**REV. D  
 STANDARD**

**LIGHT POLE**

**LP.3c**

**NOTES:**

1. STREET LIGHTS POLES SHALL BE LOCATED AT ROADWAY INTERSECTIONS (NEAR FIRE HYDRANTS WHERE POSSIBLE) AND AT OTHER REQUIRED LOCATIONS PER CITY STANDARDS.
2. POLES ON COLLECTOR STREETS SHALL HAVE FLUTED SHAFTS.
3. POLES IN SUBDIVISIONS SHALL HAVE FLUTED SHAFTS.
4. MARK JUNCTION BOX LIDS "STREET LIGHTS".
5. INSTALL 1" PVC SCH 40 CONDUIT WITH 24" COVER AND SAND BEDDING.
6. WIRES FROM RMP SOURCE TO BE SINGLE CONDUCTOR (NOT DUPLEX) #6 AWG XHHW-2 COPPER WIRE IN COLORS NOTED ON DETAIL.
7. FUSE LIVE CONDUCTOR IN JUNCTION BOX.
8. CONTRACTOR TO INSTALL JUNCTION BOX WITH FUSE. BOX TO BE LOCATED 4' MIN AND 10' MAX FEET FROM RMP SOURCE. PROVIDE 1' SCH 40 PVC CONDUIT TO RMP SOURCE. PROVIDE CONDUCTORS LONG ENOUGH TO REACH RMP POWER SOURCE PLUS 5'. CONTRACTOR SHALL SUPPLY PULL STRING IN CONDUIT.
9. CONNECT GROUND WIRE TO METAL SHELL OF LIGHT POLE.
10. FUSE ASSEMBLY SHALL BE (1) BUSSMAN HEB-JJ, PN.44229 WITH (2) BUSSMAN 2A0660, PN.44344. NO SUBSTITUTIONS.
11. FUSE AT POLE SHALL BE 5 AMPS PER FIXTURE HEAD, FUSE AT MAIN FUSE BOX SHALL BE 5 AMPS PER FIXTURE HEAD SERVED.
11. SQUID ASSEMBLY SHALL BE BLACKBURN USB335, PN.2136122. NO SUBSTITUTIONS.



SEE DWG. LP-1 & LP-1C FOR POLE AND LIGHT FIXTURE DETAILS

#12 WIRE FOR LIGHT

ACCESS DOOR LOCATED ON SIDE OF BASE

CONCRETE BASE SEE LP-1b FOR DETAIL

3 - #6 AWG XHHW-2, Cu. (1-BLACK, 1-WHITE, 1-GREEN)

MAIN FUSE BOX

2 - #6 AWG XHHW-2, Cu. (1-BLACK, 1-WHITE)

RMP SOURCE


4' (MIN) - 10' (MAX)

1" SCH 40 PVC CONDUIT EMBEDDED IN SAND

5/8" X 8' COPPER CLAD GROUND ROD WITH GROUND ROD CLAMP

GROUND POLE TO BASE CAGE (NOT SHOWN) WITH #6 SOLID COPPER AND UFER CLAMP. BOND TO ALL METAL PARTS AS PER NFPA 70.250

**RESIDENTIAL  
STREET LIGHT  
CONNECTION DETAIL**

DATE: NOVEMBER 2007		REVISIONS	
DRAWING NAME: STREET LIGHT		REV	DATE
DRAWN BY: JMC/ABG		D	11/15/11AL
CHECKED:		COMMENTS CHANGED PAGE NUMBER	
APPROVED:			
 <b>GILSON</b> ENGINEERING INC. CONSULTING ENGINEERS AND SURVEYORS 12401 South 450 East (801) 571-9414 • Fax: (801) 571-9449			



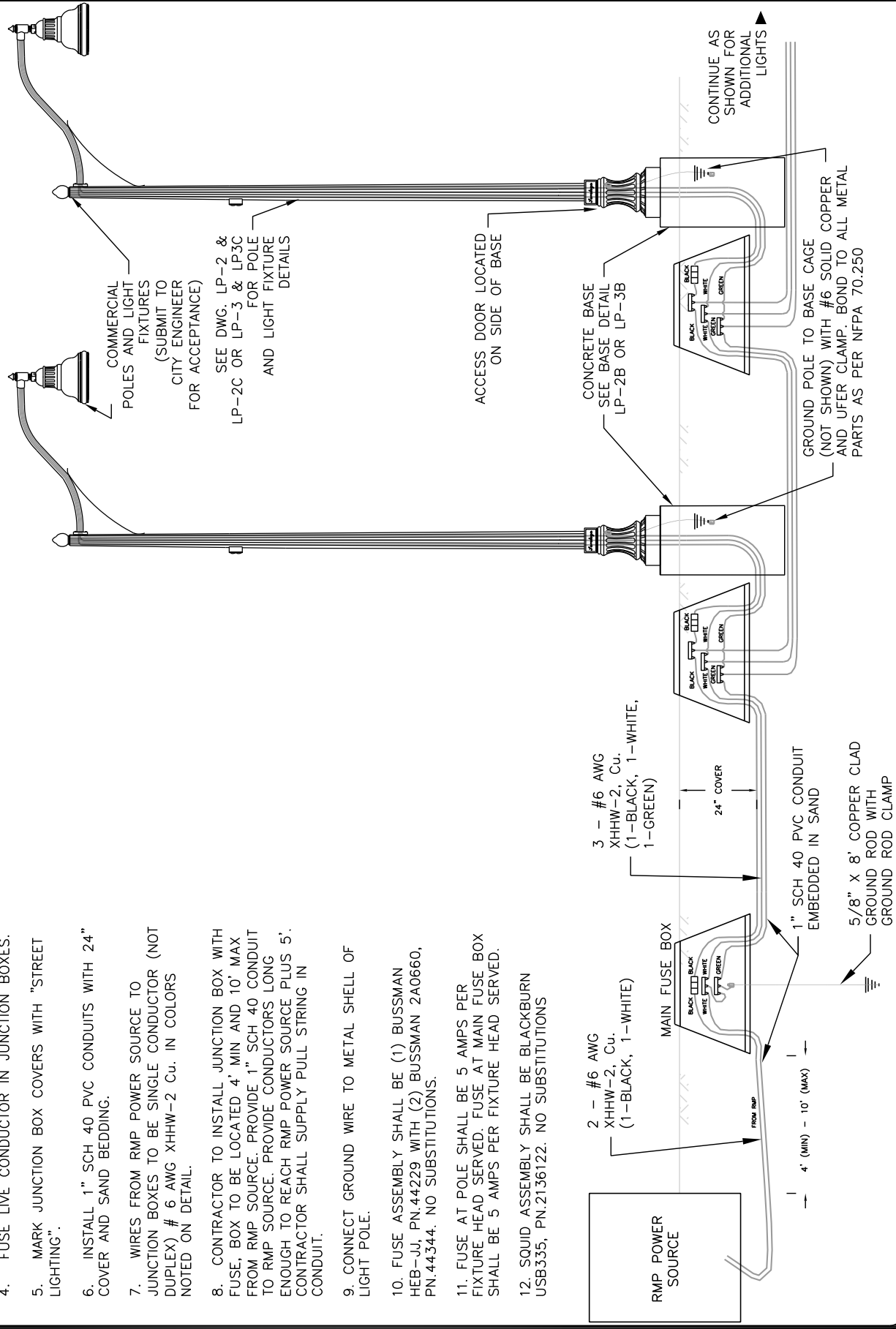
REV. D  
STANDARD

**LIGHT POLE**

**LP.4**

**NOTES:**

1. COMMERCIAL LIGHT POLES SHALL BE LOCATED AS INDICATED ON THE APPROVED LIGHTING SITE PLAN; AND AS DESCRIBED IN SECTION 16540 OF THE CITY STANDARDS.
2. LIGHT POLES AND LIGHT FIXTURES SHALL CONFORM TO THE REQUIREMENTS OF SECTION 16540 OF THE CITY STANDARDS; AND SHALL BE ACCEPTABLE TO THE CITY ENGINEER.
3. EACH COMMERCIAL LIGHT SHALL HAVE A JUNCTION BOX WITH A FUSE.
4. FUSE LIVE CONDUCTOR IN JUNCTION BOXES.
5. MARK JUNCTION BOX COVERS WITH "STREET LIGHTING".
6. INSTALL 1" SCH 40 PVC CONDUITS WITH 24" COVER AND SAND BEDDING.
7. WIRES FROM RMP POWER SOURCE TO JUNCTION BOXES TO BE SINGLE CONDUCTOR (NOT DUPLEX) # 6 AWG XHHW-2 Cu. IN COLORS NOTED ON DETAIL.
8. CONTRACTOR TO INSTALL JUNCTION BOX WITH FUSE, BOX TO BE LOCATED 4' MIN AND 10' MAX FROM RMP SOURCE. PROVIDE 1" SCH 40 CONDUIT TO RMP SOURCE. PROVIDE CONDUCTORS LONG ENOUGH TO REACH RMP POWER SOURCE PLUS 5'. CONTRACTOR SHALL SUPPLY PULL STRING IN CONDUIT.
9. CONNECT GROUND WIRE TO METAL SHELL OF LIGHT POLE.
10. FUSE ASSEMBLY SHALL BE (1) BUSSMAN HEB-JJ, PN.44229 WITH (2) BUSSMAN 2A0660, PN.44344. NO SUBSTITUTIONS.
11. FUSE AT POLE SHALL BE 5 AMPS PER FIXTURE HEAD SERVED. FUSE AT MAIN FUSE BOX SHALL BE 5 AMPS PER FIXTURE HEAD SERVED.
12. SQUID ASSEMBLY SHALL BE BLACKBURN USB335, PN.2136122. NO SUBSTITUTIONS



**COMMERCIAL  
STREET LIGHT  
CONNECTION DETAIL**

DATE: <b>NOVEMBER 2007</b>	
DRAWING NAME: <b>STREET LIGHT</b>	
DRAWN BY: <b>JMC/ABG</b>	
CHECKED:	APPROVED:

REVISIONS		
REV	DATE	BY
D	11/15/11	AL
COMMENTS CHANGED PAGE NUMBER		

GILSON CONSULTING ENGINEERS AND SURVEYORS  
12401 South 450 East  
(801) 571-9414 • Fax: (801) 571-9449



**REV. D  
STANDARD**

**LIGHT POLE**

**LP.5**

